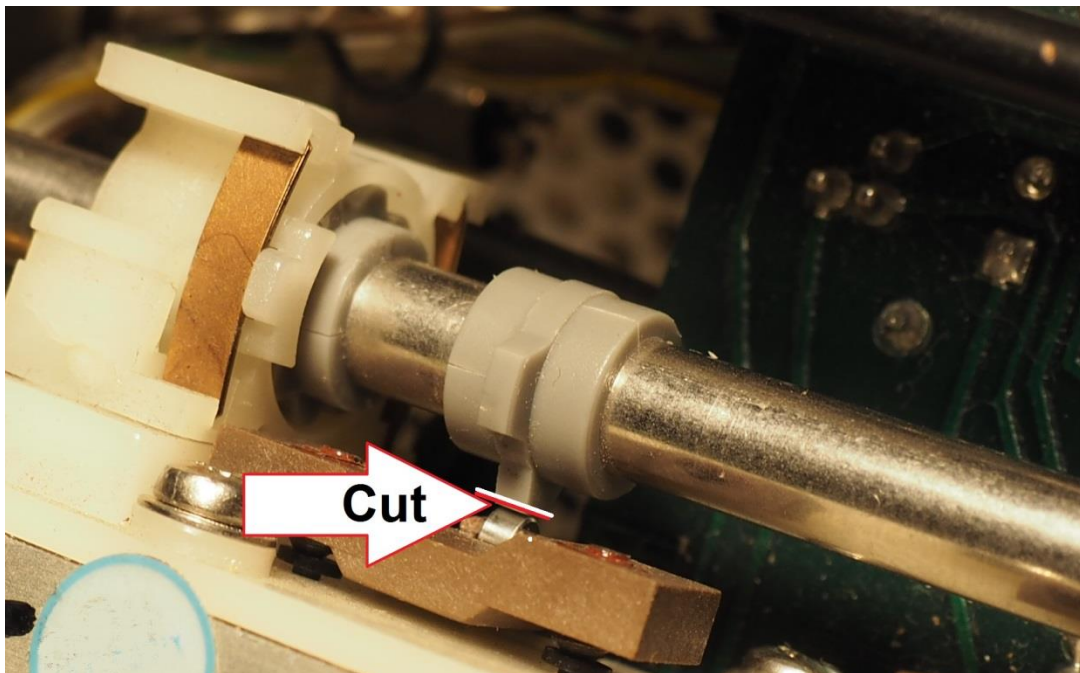
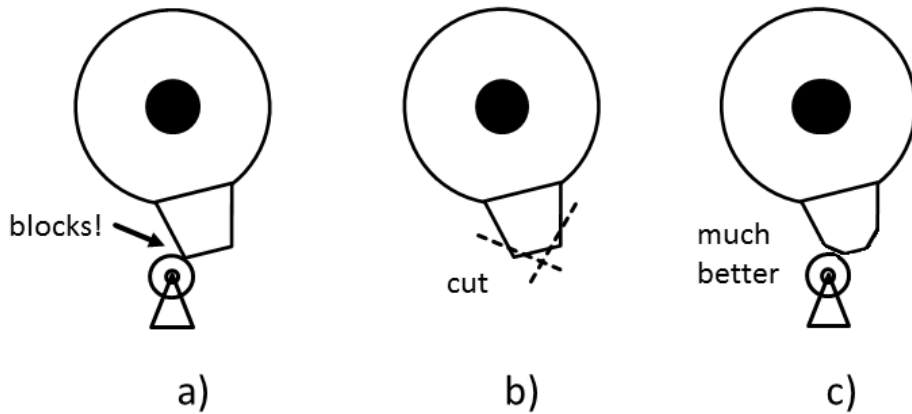


Improvement for 7A29 switch rollers in the range switch

The roller bearings in the range switch of the 7A29, fixing the rollers, tend to break and to be lost due to the high torque when acting the blocking range switch with force. > a).

Improvement - as long as the rollers exist - is to reduce this torque by cutting the sharp edges of the lever wherever necessary. > b).

This improves the remaining live time of the switch. > c).



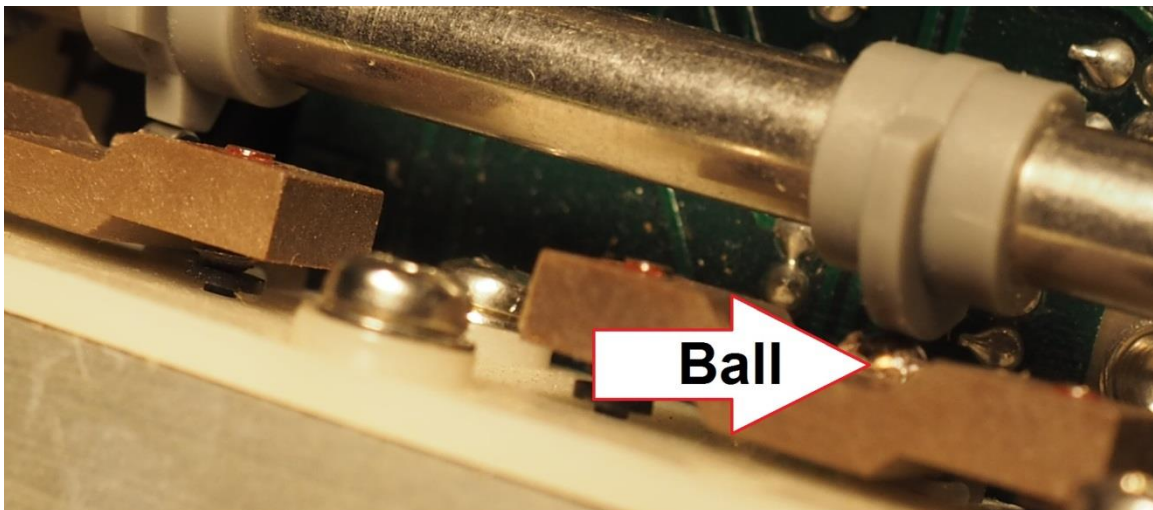
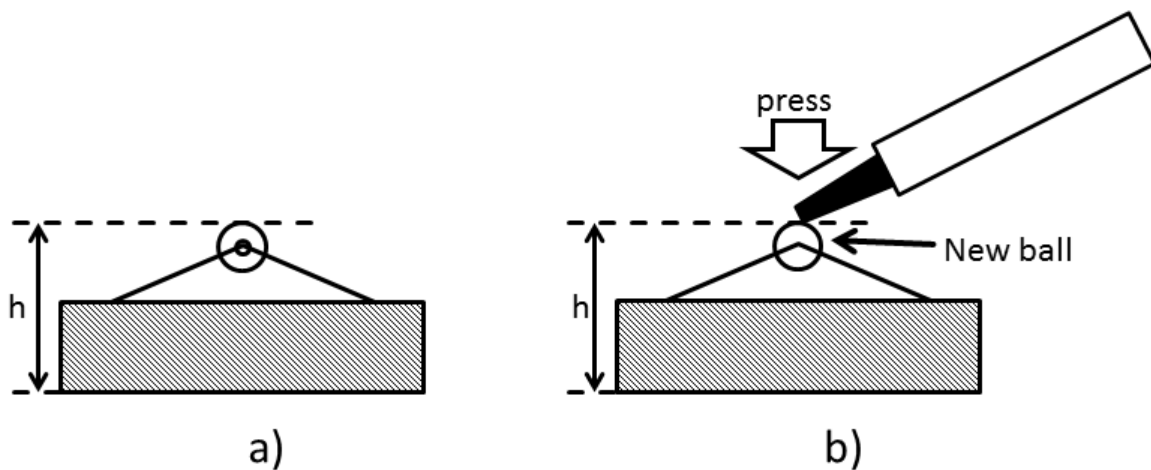
Repair of the 7A29 switch rollers in the range switch

If the rollers in the range switch of the 7A29 are already lost, they may be replaced by balls with identical diameter (or a little bigger). > a).

Such balls may be found in rotary switches, ball bearings, toys, etc.

The ball can be fixed using a soldering iron, gently pressing onto the ball, so the hot ball melts the plastic and slips into the space of the lost roller. > b).

Not too deep, compare the height h with an existing roller and repeat the procedure if necessary. Of course, this ball doesn't rotate but its surface is smooth enough so the lever will slide over it without problems (within the expected number of operations).



If you want to contact the author:
 Stefan Steger, DL7MAJ, eMail: dl7maj@darc.de
 Homepage: www.dl7maj.de