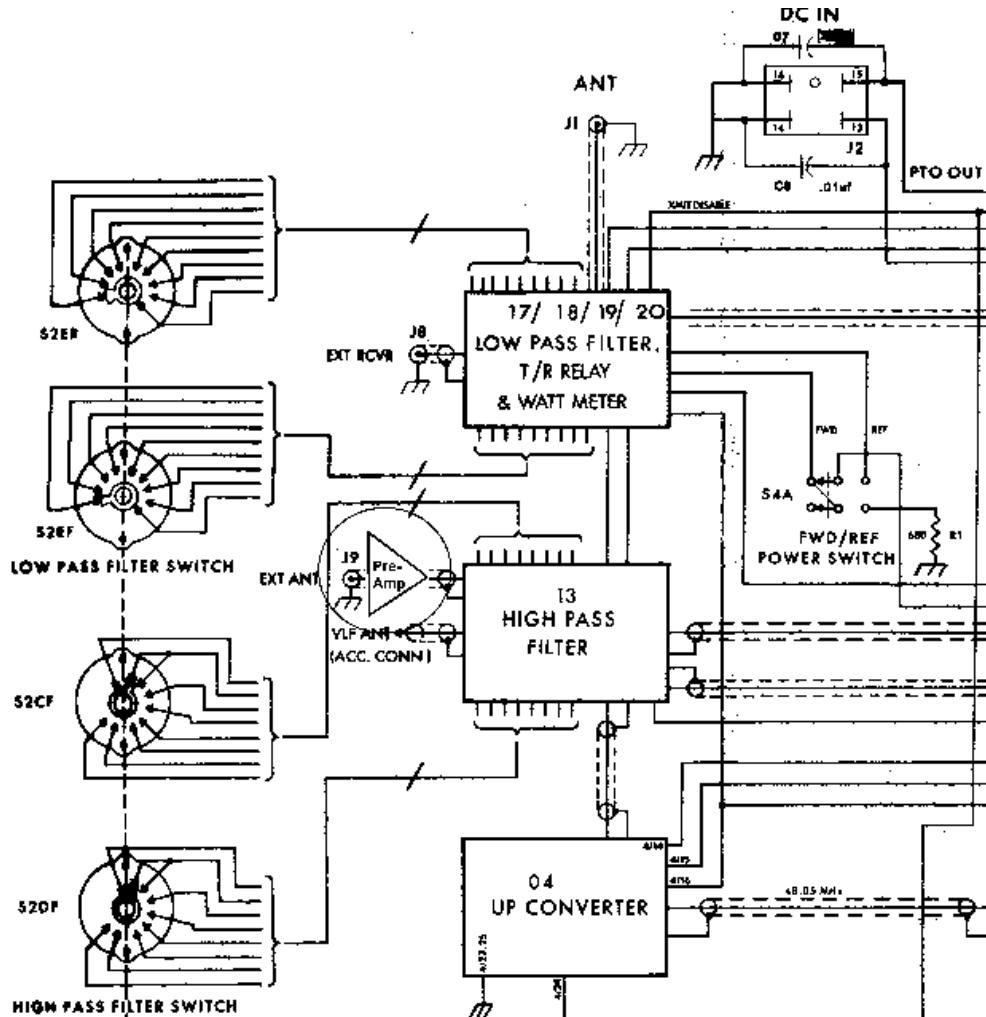


Preamplifier for the TR7

The TR7 is rather deaf on higher frequencies, therefore i installed a preamplifier, supplied by Willi, DF4NW; more informations on /1/. I've chosen the simple version with constant gain - app. 10dB.



Picture 1: Preamplifier, connection in the block diagram

The preamplifier is connected into the coaxial-cable from the external antenna-connection J9 (picture 1). This is the RX-connection to the high-pass-filter, no TX-signal is flowing there (picture 2). The Pre-Amp is installed nearby the speaker (picture 3). It can be switched ON and OFF, the push-button switch is illuminated with a blue LED when switched on (picture 4), a label „Pre-Amp“, supplied by Willi, DF4NW, helps to identify the button. This blue-LED switch is a perfect optical fit to the blue-LED-modified scale- and meter-illumination of my TR7. The internal wiring is shown in picture 5.

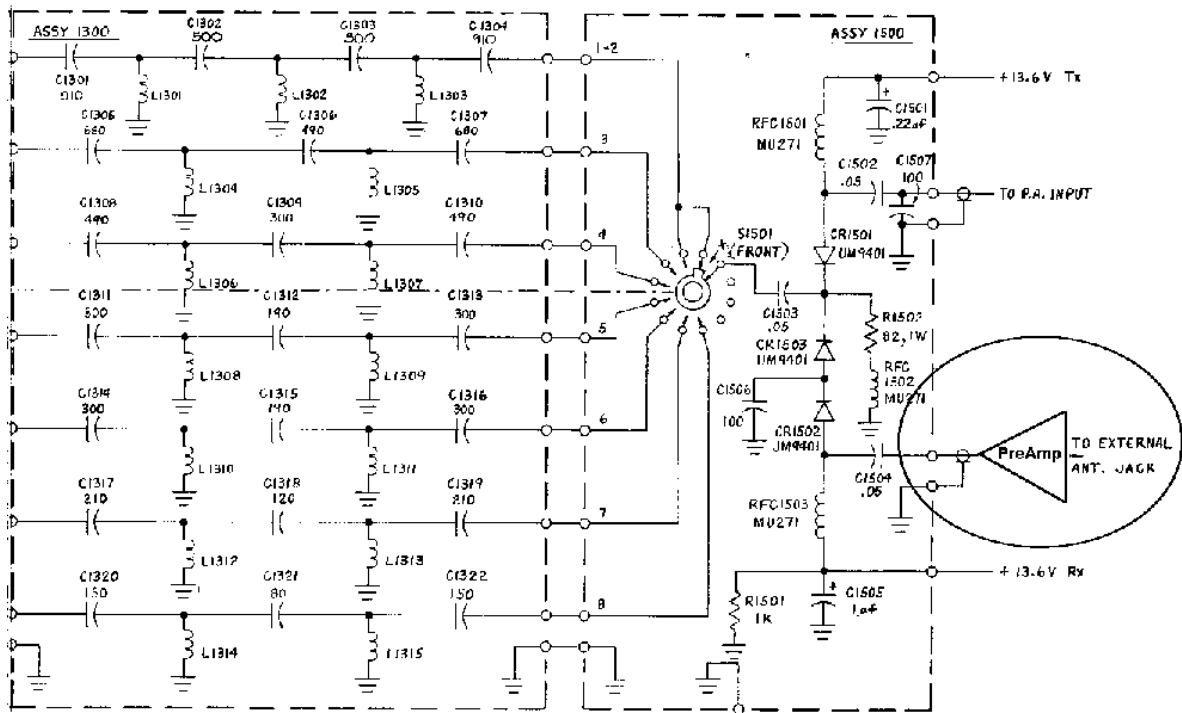
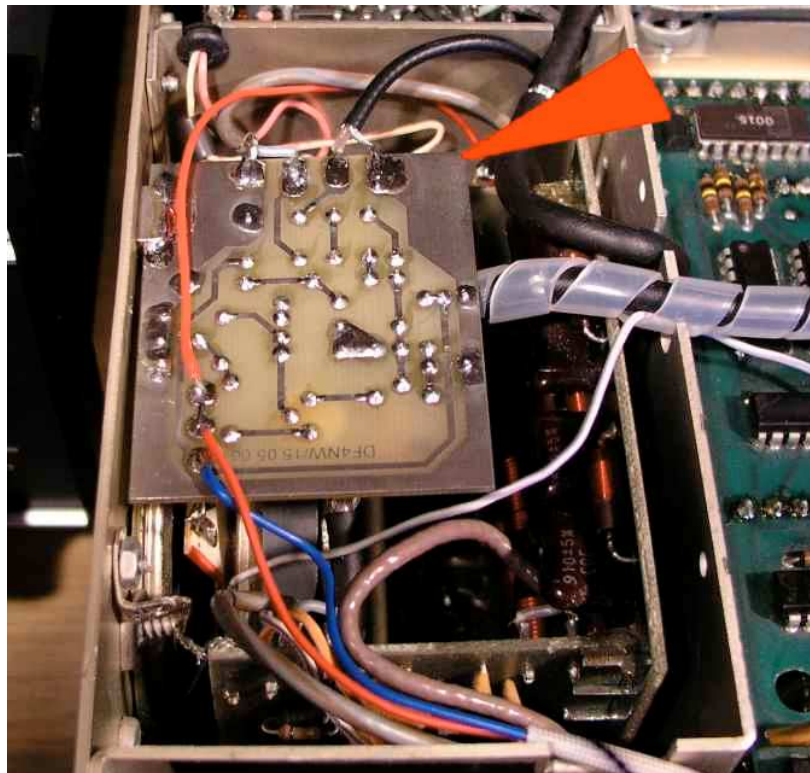


Fig. 2-28 High Pass Filter Module Schematic

2-80

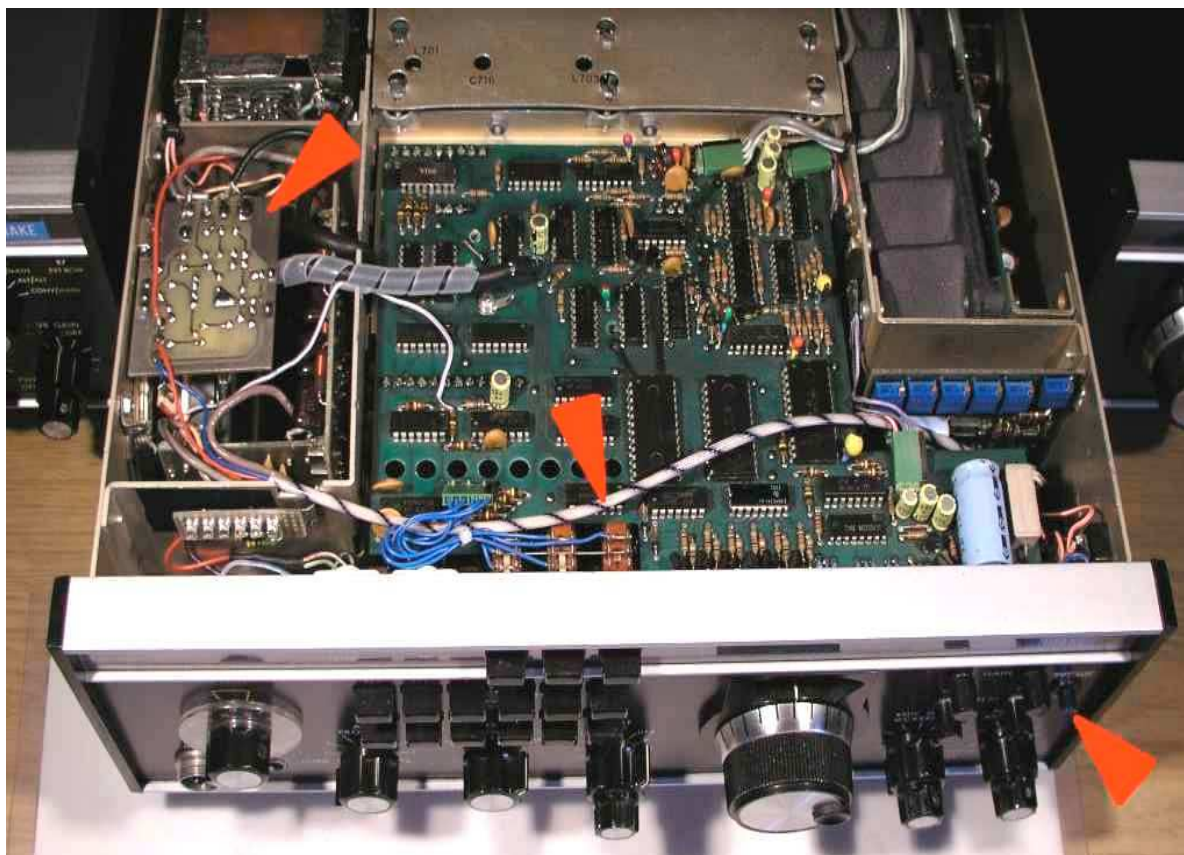
Picture 2: Preamplifier, connection to the High-Pass-Filter



Picture 3: Preamplifier, installed



Picture 4: Blue ON/OFF-switch and label at the TR7's frontpanel (right side)



Picture 5: Installation, wiring and switch of the Preamplifier

/1/ www.df4nw.de

If you want to contact the author:
Stefan Steger, DL7MAJ, eMail: dl7maj@darcd.de Homepage: www.dl7maj.de

.-.-. ... -.-